

18M EX3600-6 \ P18M-1-2 \ ENGINE UNIT \

267: PUMP MISSION

Applicable Model

Model Symbol

Applicable S/N 001001 -

Code	Part No.	Qty	Part name	Service code	Applied S/N range	ICA	Alternate Part No.	Alternate part quantity
01	+++++++	1	TRANSMISSION (PUMP)					
02	4624104	4	PUMP;PISTON	H	- 001030	I	4689080	1
02	4689080	4	PUMP;PISTON	H	001031 -			
04	J932400	16	BOLT					
05	J222024	16	WASHER					
07	4626859	1	PUMP;PISTON	H	- 001030	I	4689081	1
07	4689081	1	PUMP;PISTON	H	001031 -			
09	J932080	4	BOLT					
10	J222020	4	WASHER					
11	4422386	1	PUMP;GEAR	H				
14	4428612	1	PUMP;GEAR	H				
15	4428614	2	PUMP;GEAR	H				
16	A810105	4	O-RING					
17	J901445	8	BOLT					
19	J222014	8	WASHER					
23	94-1704	2	ADAPTER;S					
24	4203434	1	VALVE;BALL					
25	94-2025	1	PLUG					
26	94-0633	1	ELBOW;S					
27	94-0663	1	TEE;S					
28	4221278	1	ADAPTER;S					
31	94-1705	1	ADAPTER;S					
32	94-0664	1	TEE;S					
33	94-2026	2	PLUG		- 001001			
33	94-2026	1	PLUG		001002 -			
34	94-1405	2	ELBOW;S					
44	8105662	1	COVER					
45	J271245	6	BOLT;SEMS	D				
45A	J901245	1	* BOLT					
45B	J222012	1	* WASHER					
48	9754170	1	PIPE		001002 -			
49	94-0633	1	ELBOW;S					
50	94-1704	1	ADAPTER;S					
51	94-0689	1	REDUCER					
52	4351039	1	BREATHER;AIR					
52A	4211473	1	* ELEMENT					
52B	J900610	1	* BOLT					
52C	A590906	1	* WASHER;SPRING					
52D	A590106	1	* WASHER;PLANE					

267: PUMP MISSION

Applicable Model

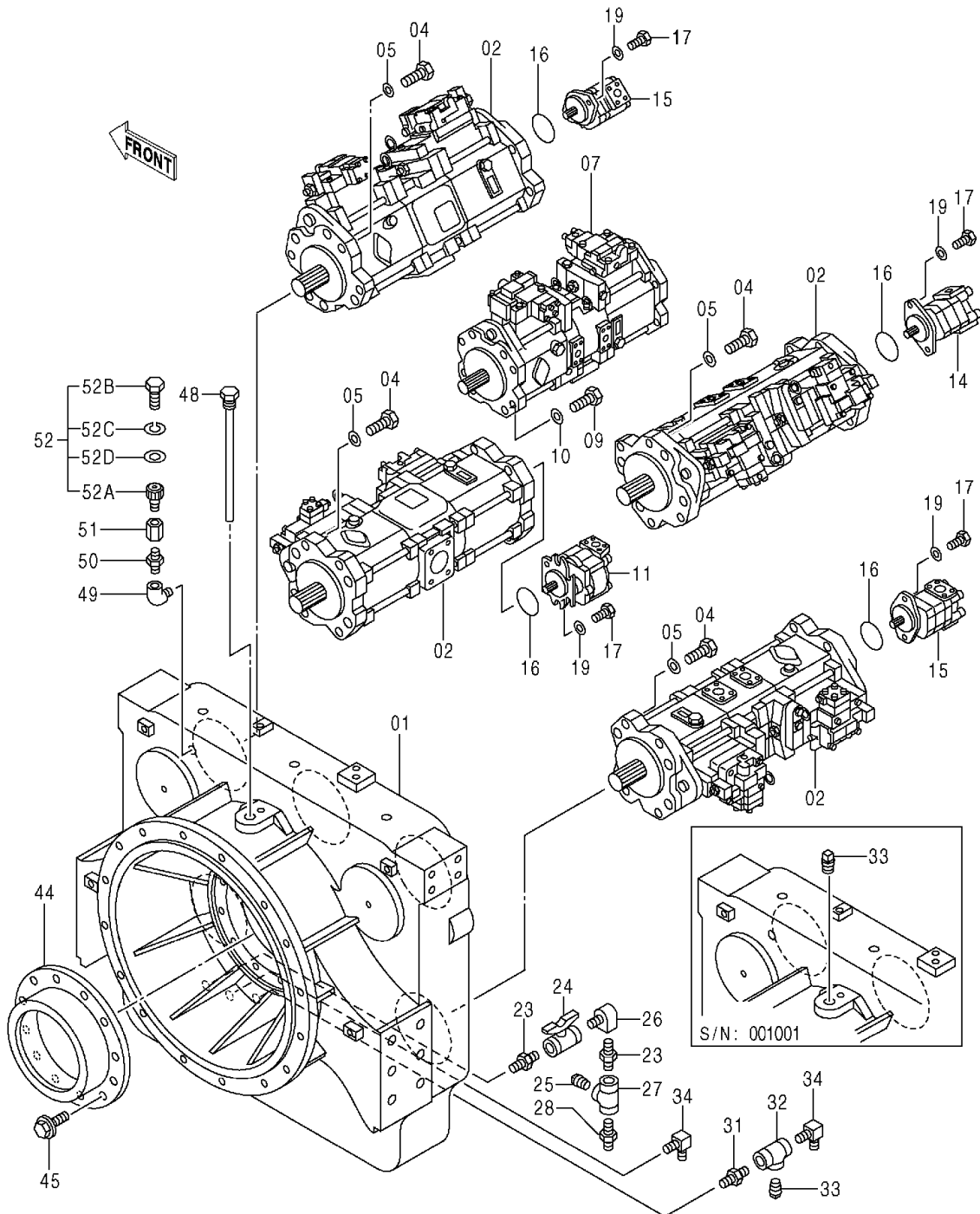
Model Symbol

Applicable S/N 001001 -

267

ポンプミッション
PUMP MISSION

適用号機 001001-
Serial No.



9271398